

Husqvarna LiteBox3D Ballooning Instruction

Instruction

Husqvarna Group

Huskvarna



1 PURPOSE & SCOPE of this document

This document is an instruction for suppliers to set balloons on 3D drawings by using the LiteBox3D software.

2 Ballooning in LiteBox3D

The contents in this instruction are selected parts from Bo Sandströms general training in “LiteBox3D”. “Ballooning” is known as “Redlining” in LiteBox3D.

2.1 Procurement

Download the software from:

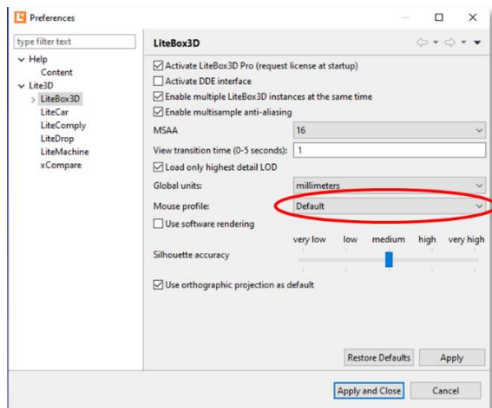
<https://www.technia.com/support/software-downloads/>

Order a license from:

<https://www.technia.com/support/license-request/#3D>

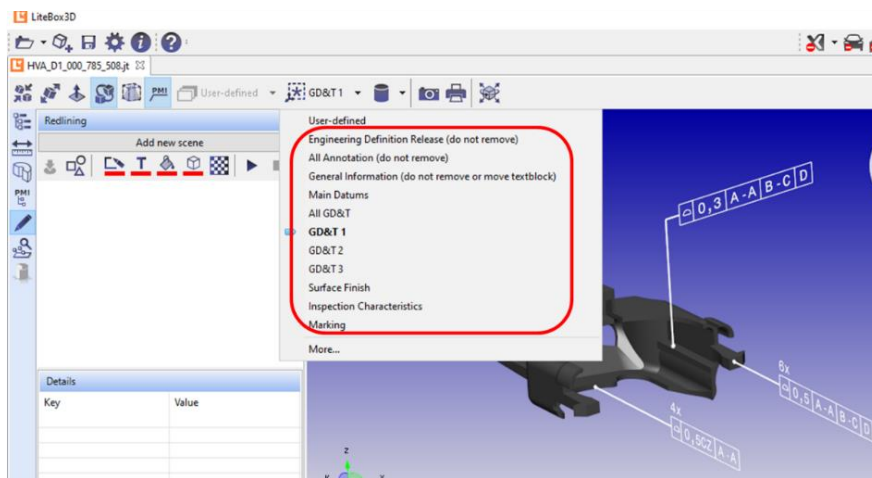
2.2 Basic Settings

For redlining, use “Default” as “Mouse profile”.



Picture 1

Choose which “Capture” you would like to use for redlining.



Picture 2

This document is only controlled and updated in the online version of How We Work – Classification level: Public

Owner: Fredrik Robarth

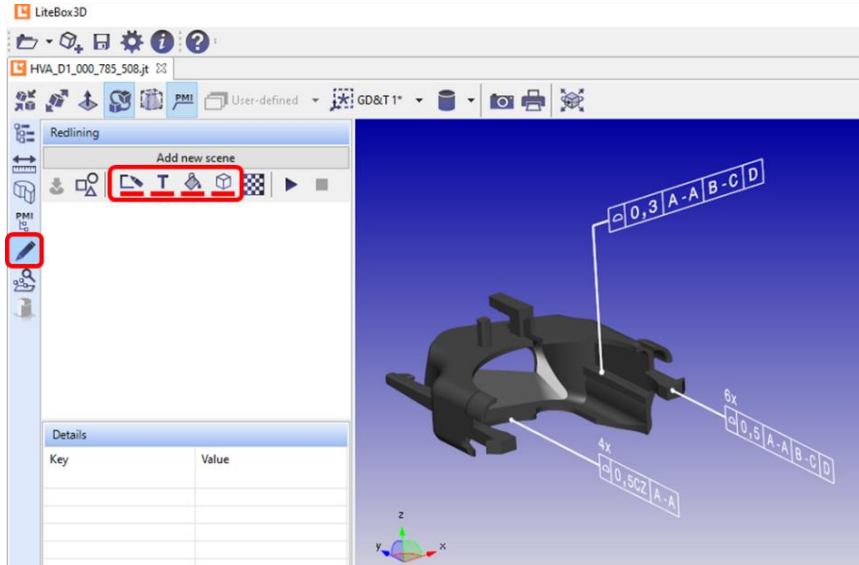
Version: 2.0

DocId: HWWDOC-1878489343-17950

Editor: Fredrik Robarth

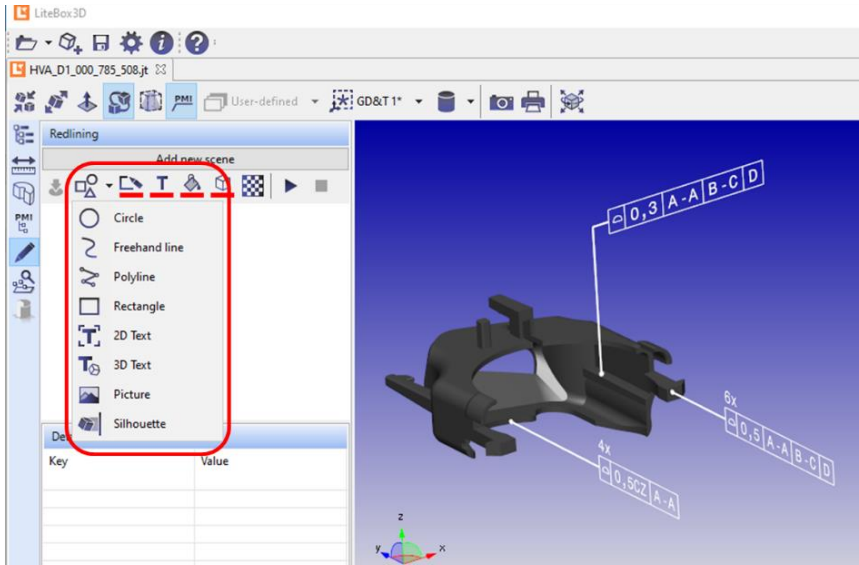
Approved: 2022-02-11 by Sten C Nilsson

Select “Redlining” and choose an appropriate colour that is easy to see in contrast to the surrounding environment.



Picture 3

Select what type and shape of redlining you would like to draw.



Picture 4

Husqvarna LiteBox3D Ballooning Instruction

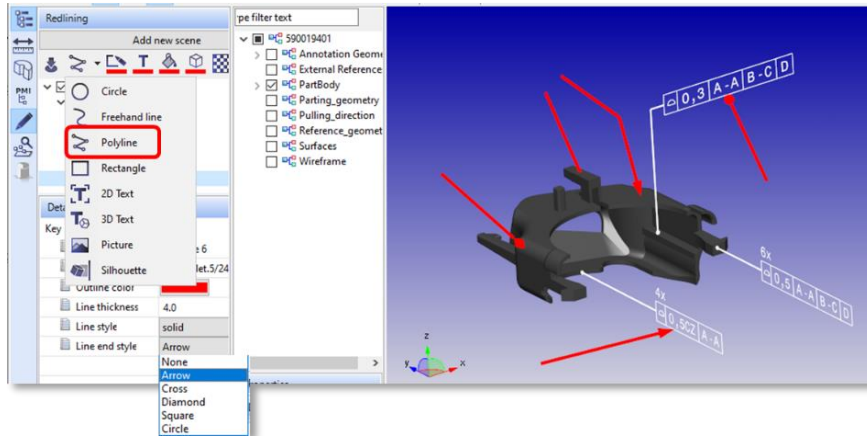
Instruction

Husqvarna Group

Huskvarna

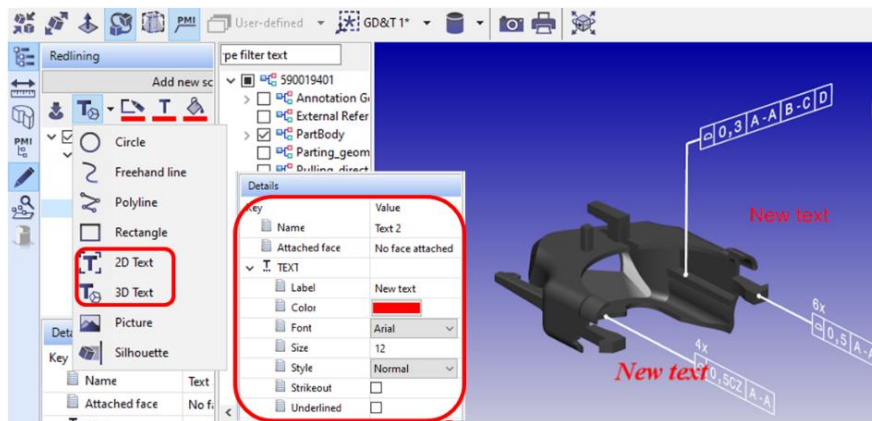


To make a make a “Polyline”: Click the left mouse button where you would like the line to start. Click left mouse button again, where you would like to set a knee on the line like the line to end. To exit the line, press the right mouse button. It is also possible to choose which type of end you would like to set on the line.



Picture 5

To add a text, there are two different types of texts: “2D” is fixed in space while “3D” rotates together with the model when rotating it. Text properties can be changed and the text can be moved in the same way as a circle and rectangle.



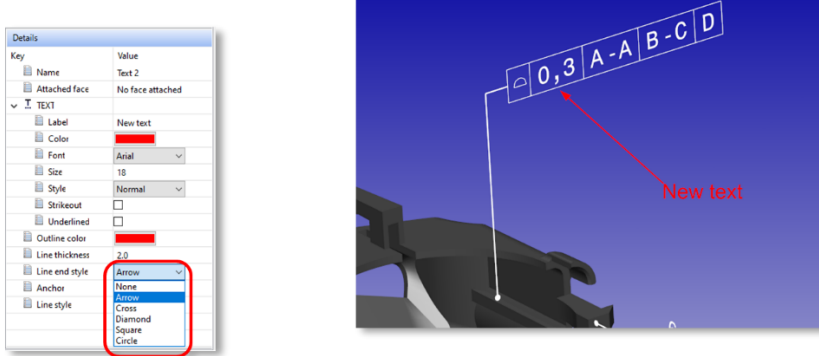
Picture 6

Husqvarna LiteBox3D Ballooning Instruction

Instruction
Husqvarna Group
Husqvarna



To add a line between the text and the item it should point at, click where you would like the line to point at and drag the line to the text while you're still holding down the mouse button to where the text is located. You can change the shape of the line to an arrow or other appropriate shape.

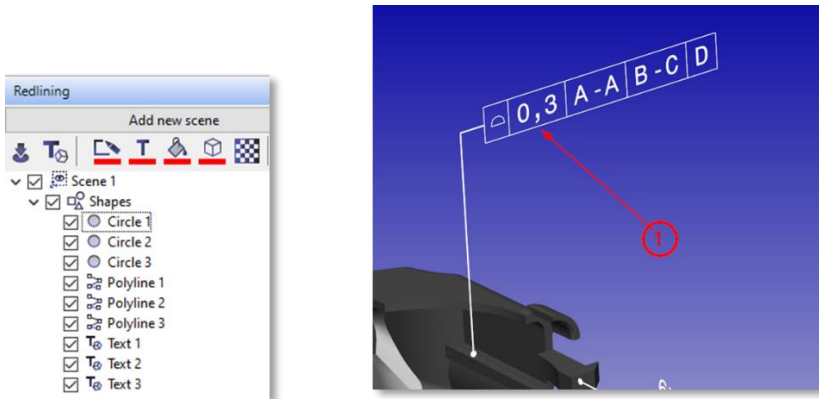


Picture 7

2.3 Ballooning

To tag characteristics on a drawing to refer to measurement records, use the text, circle and arrow functions to create balloons. Do the following:

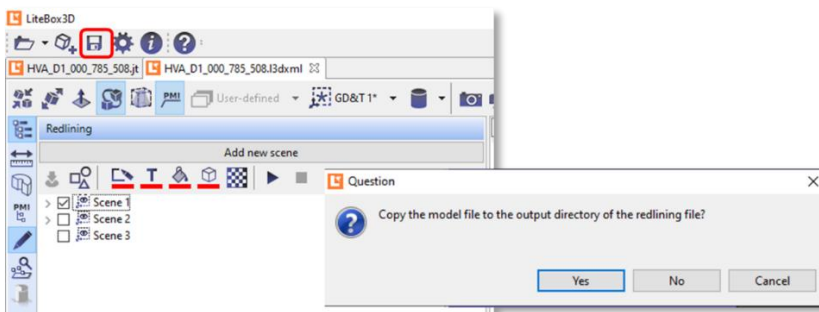
- Create the text line
- Create a circle around the text



Picture 8

When you're done, the redlining can be saved in an additional file in format: ".l3dxml".

When saving, you have to be in "redlining mode" where you can choose between saving changes in either original ".JT"- or ".l3dxml"-file.

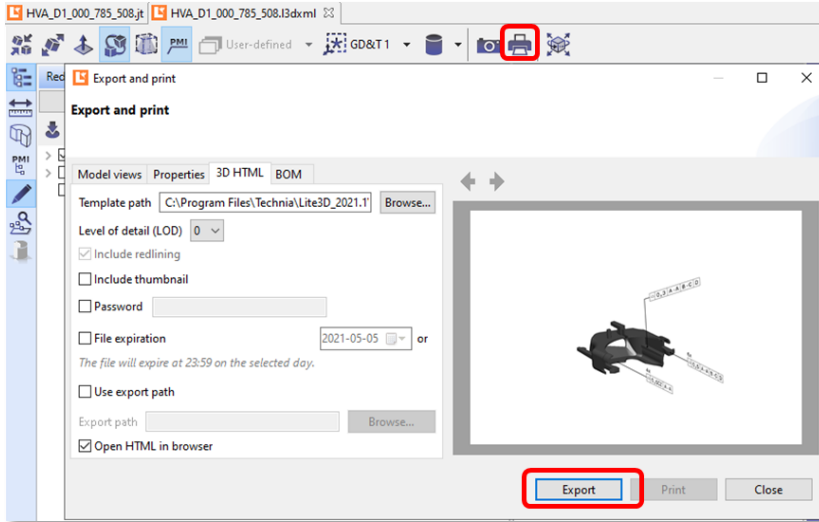


Picture 9

You can open and read files with a freeware version of LiteBox3D. Always open the “.JT” file first then the “.I3dxml” file.

You can also export the file to a HTML-file that can be viewed in a regular web browser. To export: Select “print” and then “export”.

You can also export the file to a HTML-file that can be viewed in a regular web browser. To export: Select “print” and then “export”.



Picture 10

3 Version History

The version is managed automatically by How We Work. There is no need for manual modification.

Version number	Tracking of changes in the document	Date
Version history - SharePoint	Review / Compare function of Microsoft Office	Version history - SharePoint